

# Hotel Door Lock System

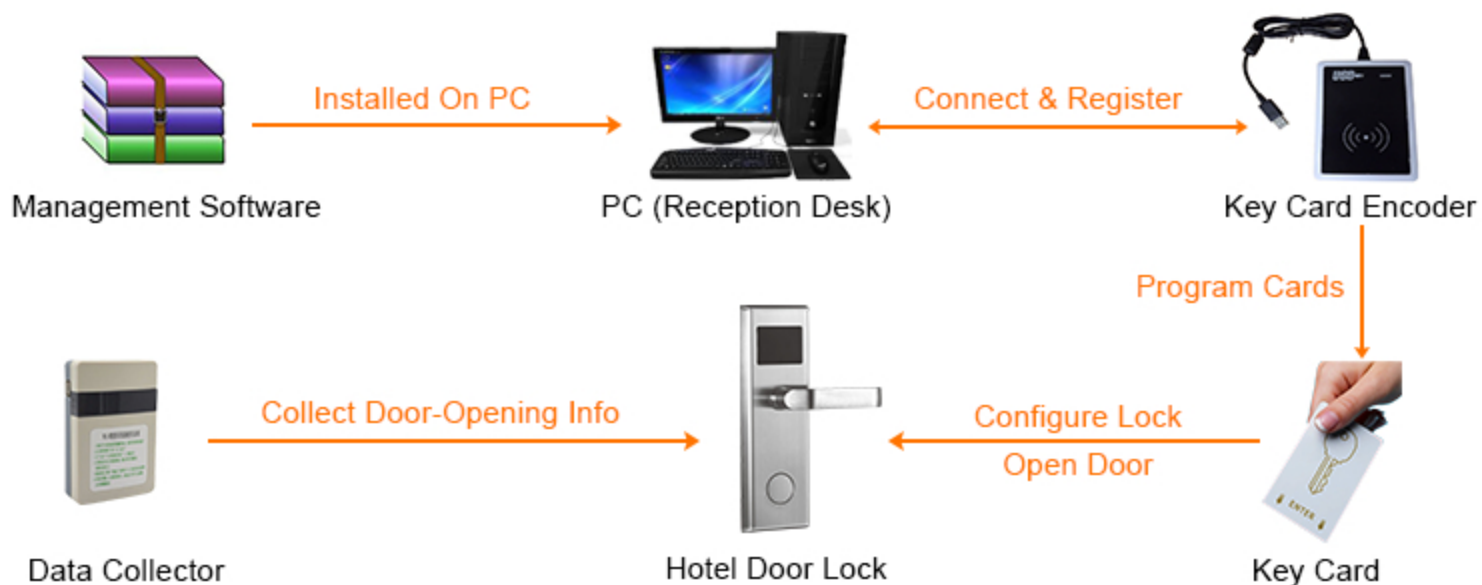
Shenzhen EPROER<sup>TM</sup> Tech Co., Ltd.

Web: [www.eproer.com](http://www.eproer.com) Tel: +86 755 8482 2706 Add: Shenzhen, China

Contact: Tom Zhang Email: [tom@eproer.com](mailto:tom@eproer.com) Mobile: +86 186 8033 6637 (WhatsApp, Wechat)

Contact: Dan Chou Email: [dan@eproer.com](mailto:dan@eproer.com) Mobile: +86 185 0752 5876 (WhatsApp, Wechat)

# Hotel Door Lock System



※ For new hotel, these are must-have items: door lock, key card encoder and key card.

Items	Quantity	Remark
Hotel Door Lock	1 set / Room	Door Thickness >38mm.
Key Card Encoder	2 pcs / Hotel	Work together with management software to program cards and configure the locks, and manage guest checking-in, checking-out, etc. It is better to have 2 card encoder. One for use, the other for backup.
Key Card	3-5 pcs / Room	In case multiple guests share one room or cards get lost, it is better to get more cards.
Data Collector	1 pc / Hotel	Used to collector door-opening history data (Who/when/how) from lock.
Management Software	/	Provided for free by us. Work together with card encoder to program key cards and configure the locks, manage guest checking-in, checking-out, etc.

## Hotel Door Lock



Model #: EP-A101-S



Model #: EP-A101-G

# Specification And Part List



Model #: **EP-A101**

Application: Hotel, Apartment, Office, Home, etc.

Applicable Door Thickness: 38~52mm

Unlock Way: RFID Card and Mechanical Key

Card Type: T5557(125 kHz) or M1 (13.56 MHz)

Reading Distance: 0-25 mm

Lock Mortise: ANSI Standard

Panel Color: Silver, Golden

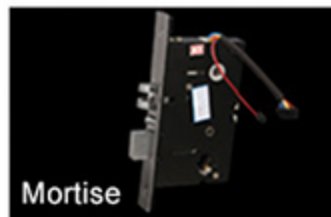
Panel Material: Stainless Steel

Finish: PVD

Working Voltage: DC6V (4pcs AA batteries)

Battery Life: 7-10 months

Weight: 2.7kg/set



## Details



### Inductive Card to Unlock

US ATMEL Temic T5557 125 KHz RFID card or Philips Electronics 13.56 MHz M1 RFID card. Responding time: 0.3s. Convenient and durable.

---

### Concealed Keyhole

Prevent damaging from external hardware. Not only safe, but also good-looking.

---

### ANSI Standard Mortise

Linked-five-latches structure, reliable and stable performance. With anti-plug function.

### Battery Powered

4 pcs alkaline AA batteries, last for 7-10 months

---

### Zinc Alloy Material

PVD vacuum plating process for the surface, anti-corrosion, not easy to fade, elegant and beautiful.

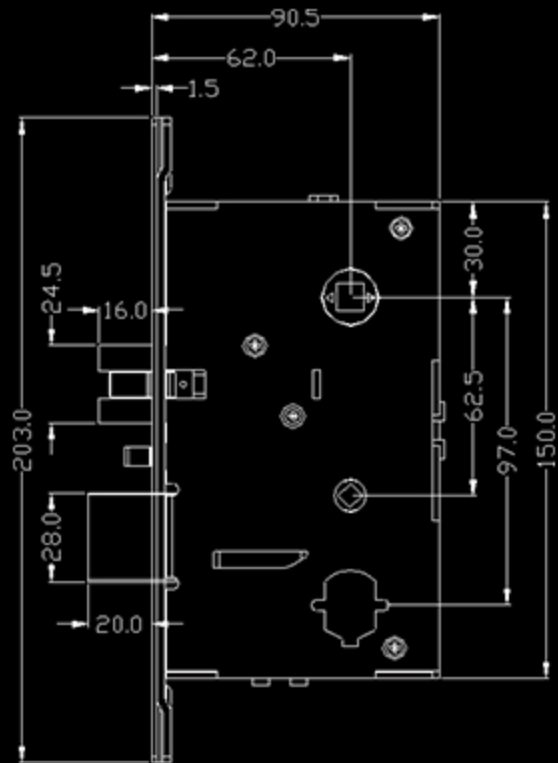
---

### Dissociative Handle

The handle will be disconnected from the internal part of the lock after door is locked, which could prevent lockpicking and effectively protecting the mechanical parts of the lock.



# Mortise



## ANSI Standard Mortise

Linked-five-latches structure.  
Reliable and stable performance.



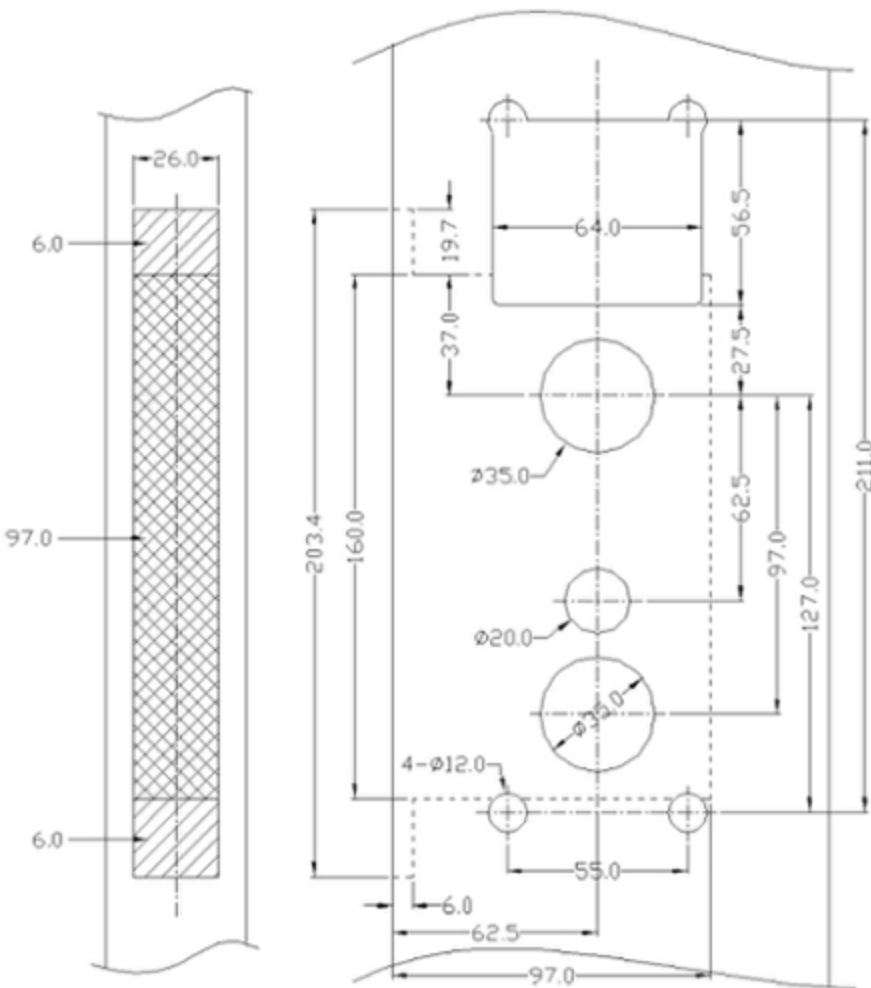
## Anti-Plug Function

Prevent people trying to open the door illegally with  
business cards, ID card, etc.

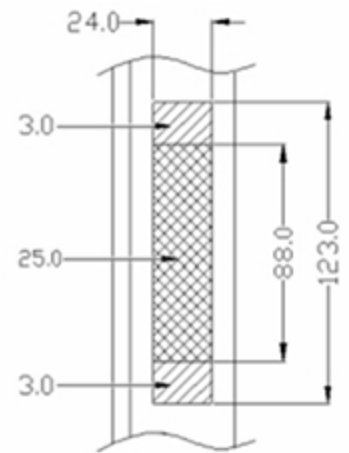
PVD plating surface, rust-proof, applicable to seaside hotels.



# Hole-Cutting Template



Template For Mortise And Panel



Template For Side Catch

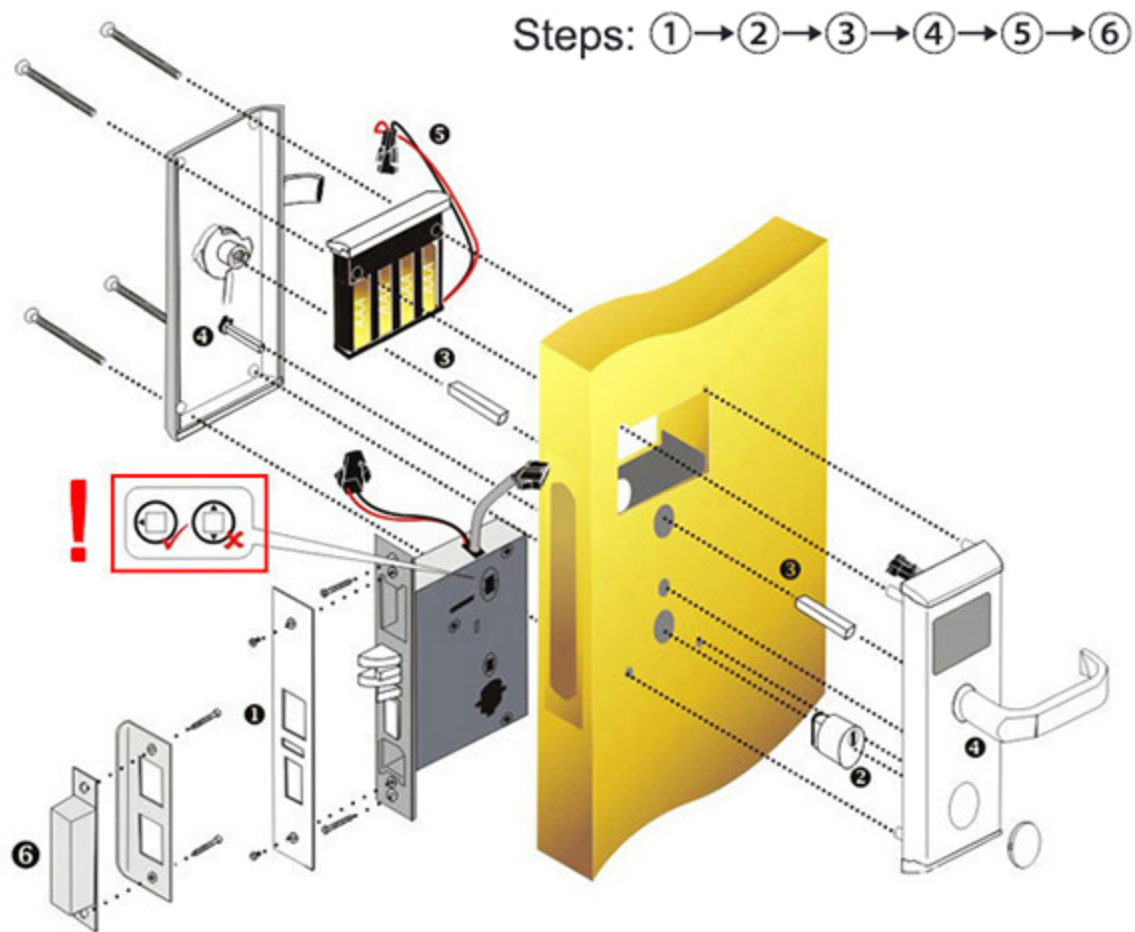
※ We will provide a 1:1 scale of paper template for you to cut installation holes with each order.

※ If you want to cut installation holes in advance, you can refer to the template on left side.

※ It is better to leave the cutting work to the door supplier or professionals.

※ If you want to do it by yourself, you may need these tools: chisel, hammer, drill and bit, etc.

# Installation



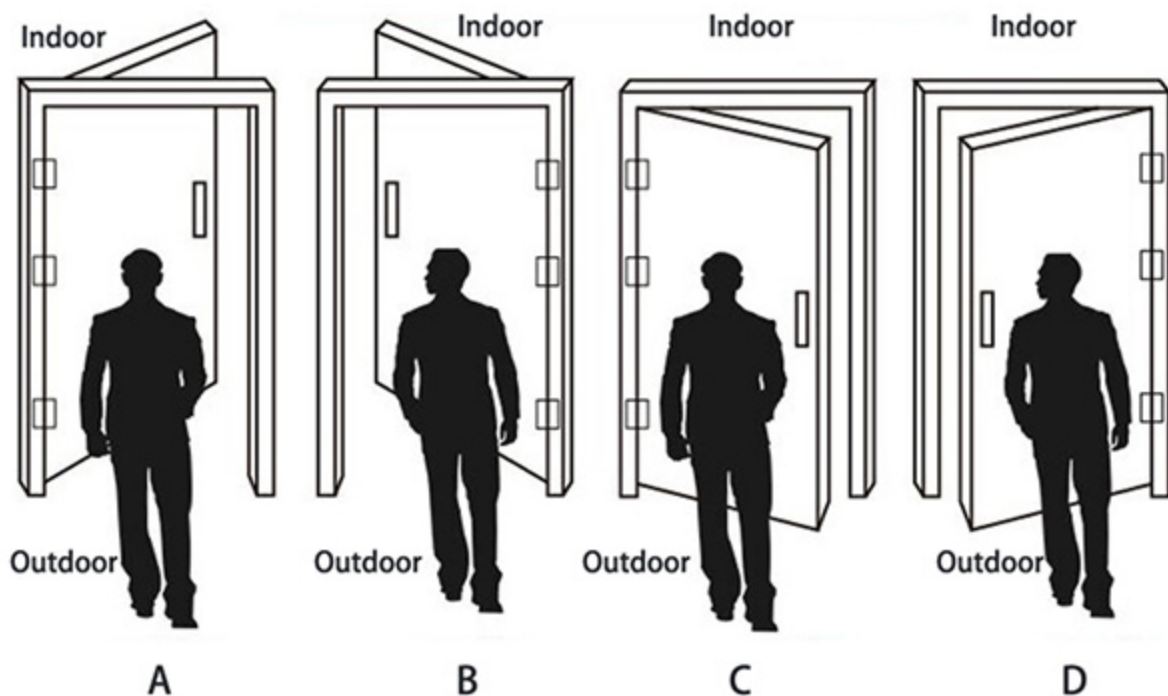
- ※ Make sure the triangle symbol on mortise points to the latch during installation.
- ※ And be careful not to break the cables.
- ※ Test it with key card and mechanical key, and handle inside room to make sure the lock works well before closing the door
- ※ Always take the mechanical key and key card with you when testing.



## Door-Opening Direction

The direction of handle and latch are **unchangeable** after leaving factory.

So please refer to the picture below and let us know which door-opening direction you want to make sure the locks fit your door.



A: Left hand pushing the door to open

B: Right hand pushing the door to open

C: Left hand pulling the door to open

D: Right hand pulling the door to open

# Management Software

## Main Interface:



**Function:** Works with key card encoder to program cards and configure locks. and manage guest checking-in, checking-out, etc.

**Operation Guide Video:** [https://youtu.be/\\_pNFzmF3I9k](https://youtu.be/_pNFzmF3I9k)

**Language:** We only provide English version. You can change it to your language on your side.

**Compatible With OS:** Windows 95, Windows 98, Windows ME, Windows 2000, Windows 2003, Windows XP, Windows Vista, Windows 7, Windows 8, Windows 10.

※ This management software can be downloaded from [www.eproer.com/download/](http://www.eproer.com/download/)

※ We can also provide you with API, which allows our management software integrated to other hotel management system of yours.

# Key Card Encoder



## SPECIFICATION

Model #: EP-A204-57

Chip Frequency : 125KHz

Response Time: <0.1S

Power: PC's USB Port

Voltage: 3.3V

Drive: No Need

Material: ABS

Weight: 0.32kg

Application: Hotel door lock system

**Function:** Works with management software to program cards and configure locks. and manage guest checking-in, checking-out, etc. (Management software and API is for free.)

**Compatible With OS:** Windows 95, Windows 98, Windows ME, Windows 2000, Windows 2003, Windows XP, Windows Vista, Windows 7, Windows 8, Windows 10.

**Two Types For Option:** (Same appearance, different chip)

- 1) With 125KHz frequency chip, work with T5557 card.
- 2) With 13.6MHz frequency chip, work with Mifare 1K card.

※ If the key card is used only for opening door, T5557 card system will be enough.

※ If the key card is for multifunctional purpose instead of just opening door, such as for consumption system, parking system, access control system and so on, you need to choose Mifare 1K card system.

# Key Card

## SPECIFICATION

Product Name: T5557 Key Card

Model #: EP-A201-57

Chip Frequency: 125KHz

Material: PVC

Color: White

Size: 85.5\*54.5 mm

Weight: 0.67kg/100pcs

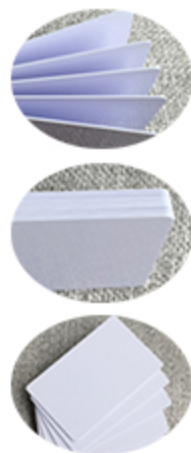
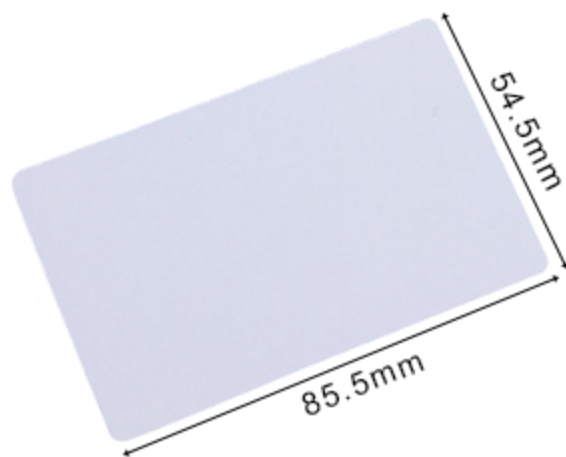


## Function:

- ① Swipe card to open door
- ② Insert card into energy saving switch to gain power



# Key Card



- ※ You Logo and hotel information can be printed on the card. (Silk Printing)
- ※ If quantity  $\geq 100$  pcs, printing service is for free.
- ※ You can design the artwork by yourself, or send us your logo and related information and we design it for you.



# Data Collector



## SPECIFICATION

Product Name: Data Collector

Model #: EP-A209

Application: 125KHz Hotel Door Lock System

Interface: USB

Working Voltage: DC 6V (4 AA battery)

Material: PVC

Drive: No Need

Weight: 0.3kgs

Color: Beige

### Function:

Read and collect the door-opening (unlocking) history from the locks.  
You will know who/when/how opened the door.

For example, when theft happens, this device would be of help.  
It can read the latest 255 pieces of door-opening record.

This data collector is for **125KHz Frequency locks** only.